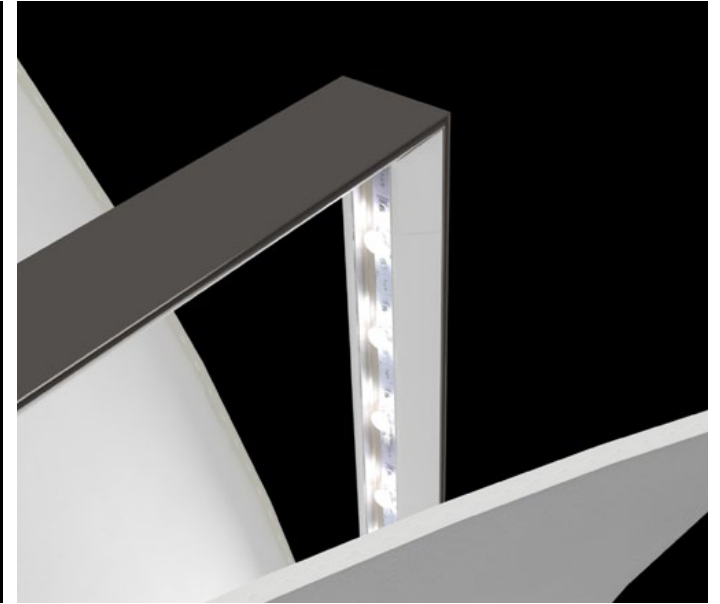
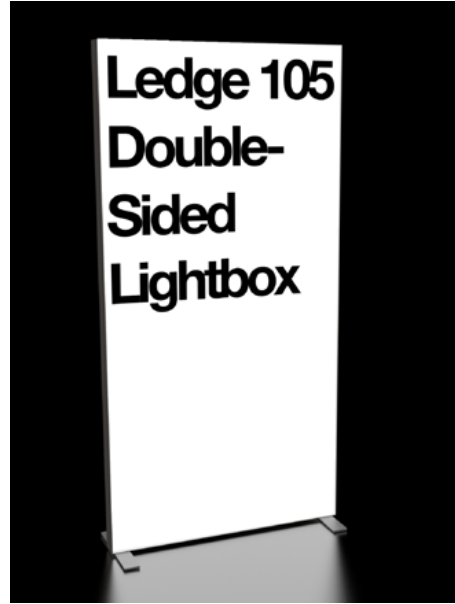


Ledge 105

Tension Fabric System Double-Sided Lightbox

Display System for exhibitions, events, retail and conference environments



Ledge 105 Tension Fabric Double-Sided Lightbox

The Ledge 105 double-sided LED lightbox uses ultra bright LED modules to create a stunning, evenly illuminated graphic display.

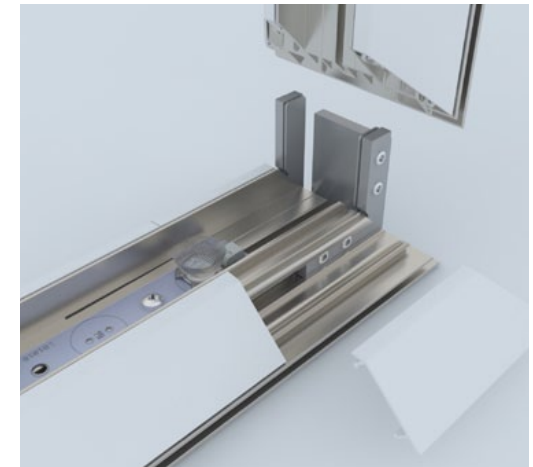
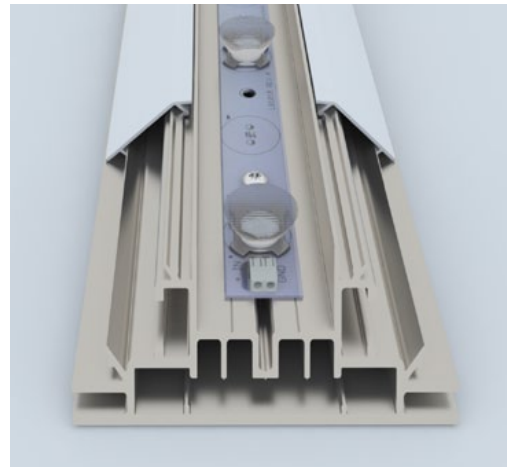
Supplied flat pack for easy self-assembly, this lightbox offers low energy consumption and reduced shipping costs.



Features and Benefits

Ledge 105

- Double-sided illumination at only 105mm deep
- Available in custom sizes up to 2.25m wide x 3m high
- Uniform, edge to edge illumination
- Low energy and maintenance free
- Consistent light quality
- Flat pack for easy shipping and reduced carriage costs
- LED modules pre-installed into the frame, simply connect the corners
- Customisable frame colour
- Option to fit a different graphic each side



Features

Ledge 105

Edge lit lightboxes

Description

The edge lit Ledge 105 utilises high output LEDs and the latest optical control technology to create bright, even illumination across a single or double sided tension fabric graphic display.

The Ledge 105 is a freestanding graphic display system, but can also be wall mounted or ceiling suspended.

Ledge 105 is available in custom sizes up to 2.25m wide x 3m high and is suitable for easy self-assembly.

Key Attributes

- Flat packed for reduced shipping costs
- Double or single sided graphic illumination available within one product
- Option to add Ledge Fix magnetic merchandising system

LED Details

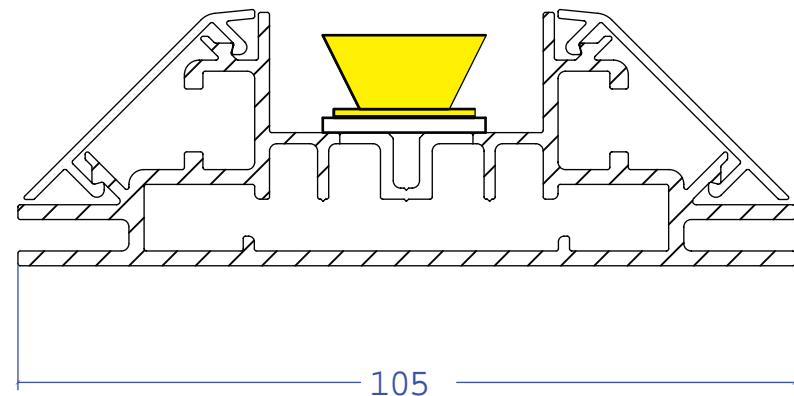
Operating Voltage	120V~277V AC
Operating Frequency	50~60Hz
Power Factor	>0.98 Typical ³
Total Power Consumption ¹	26.5W per square metre
LED	Seoul
LED Quantity	10 per metre
Drive Current	0.7A
PCB Power Consumption	2.2W per LED
LED Colour Temperature ²	5700K
LED Lifetime ⁴	>36,000 hours

1. Assuming Power Supply efficiency of 80%

2. 5700K typical. +/- 250K

3. Power Factor is dependent on Power Supply Unit and Load

4. Based on Manufacturers data at 55 degrees celcius

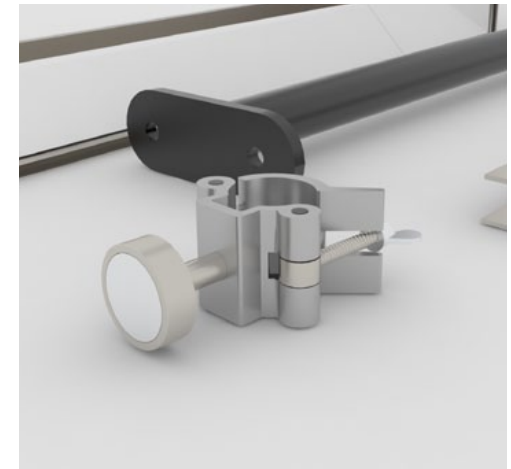


Ledge-Fix

Magnetic Display Accessories

Ledge-Fix is our magnetic system for adding accessory holders to your display - enabling you to combine product display and illuminated graphics to striking effect.

The system sits within the lightbox and is adjustable and easily reconfigurable, allowing product placement anywhere on the graphic surface.



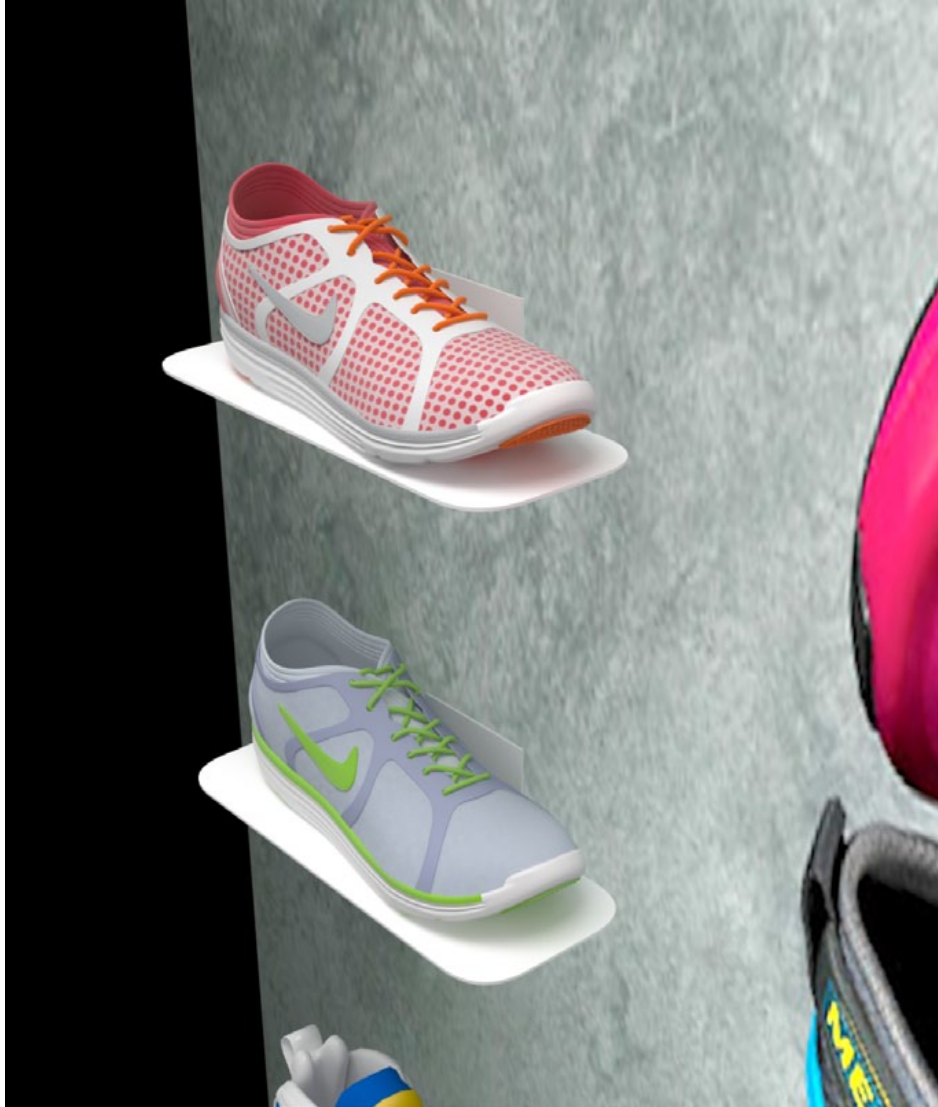
Ledge 105

Ledge-Fix

Ledge-Fix

Magnetic Display Accessories

Ledge 105



Ledge-Fix

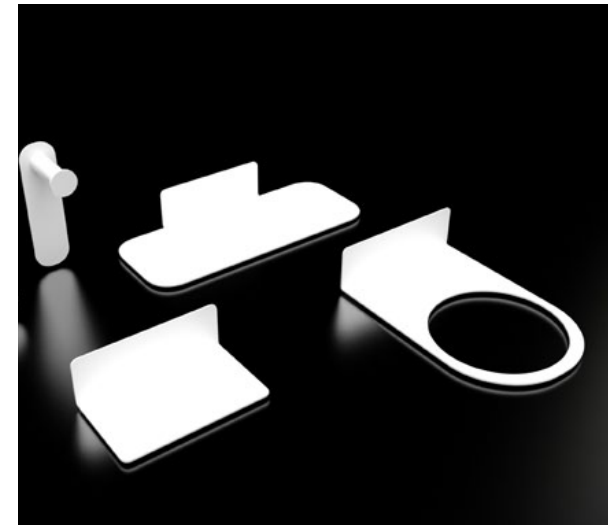
Ledge-Fix

Magnetic Display Accessories

Our Ledge-Fix magnetic brackets are available in three formats - a single, double and triple point system to support lightweight midweight and heavy weight applications.

We also produce a range of accessory shelves to order, which can be customised to your requirements.

Ledge 105



Options

Options

The Ledge 105 can be wall mounted using the bracket shown.

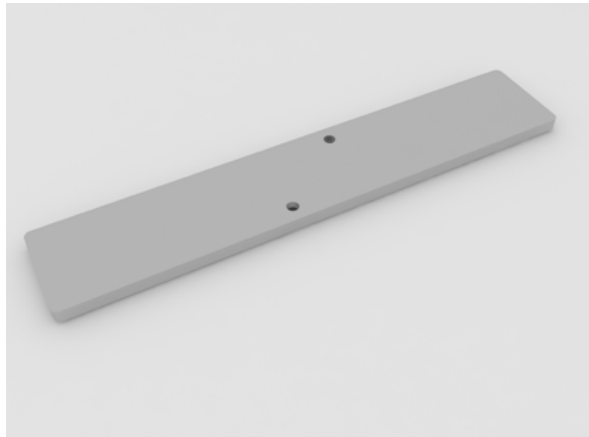
By using a light reflecting fabric on the rear face, the Ledge 105 can be used as a single-sided light box, whilst retaining all of the other features and benefits of the product.



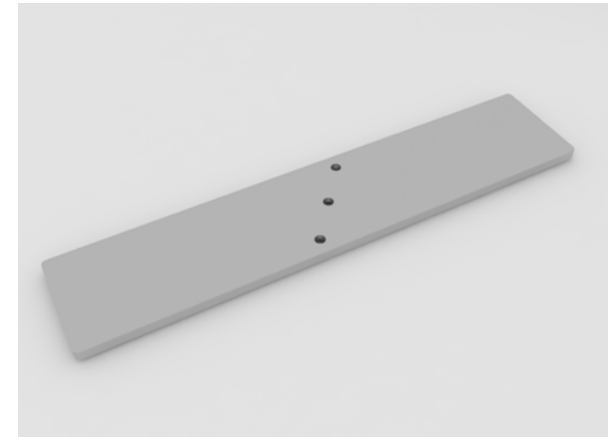
Ledge 105

The feet have diagonally offset fixing holes to maximise resistance to twisting of the light box frame.

For easy kit packing, by leaving the feet fastened to the frame profile by one loosened screw only, they can be rotated through 90° to be in line with the frame profile.



Small foot 400 x 75 x 10mm - For frames up to 1m tall



Large foot 500 x 104 x 10mm - For larger frames

Contact Us

info@unibox.co.uk

www.unibox.co.uk

www.uniboxsystem.co.uk

Greenside Way, Middleton, Manchester, M24 1SW
+44 (0) 161 655 2100